

STYLE No. : L509SDM-33/410A

ACTUATOR (PP)

CHAPLET (PP)

GASKET (PE)

CLOSURE (PP)

STEM (PP)

PISTON (PE)

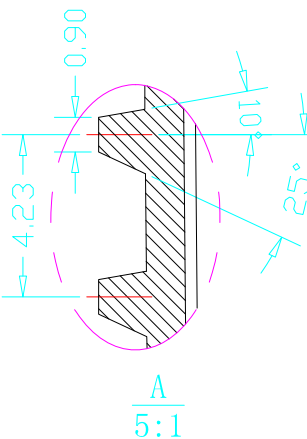
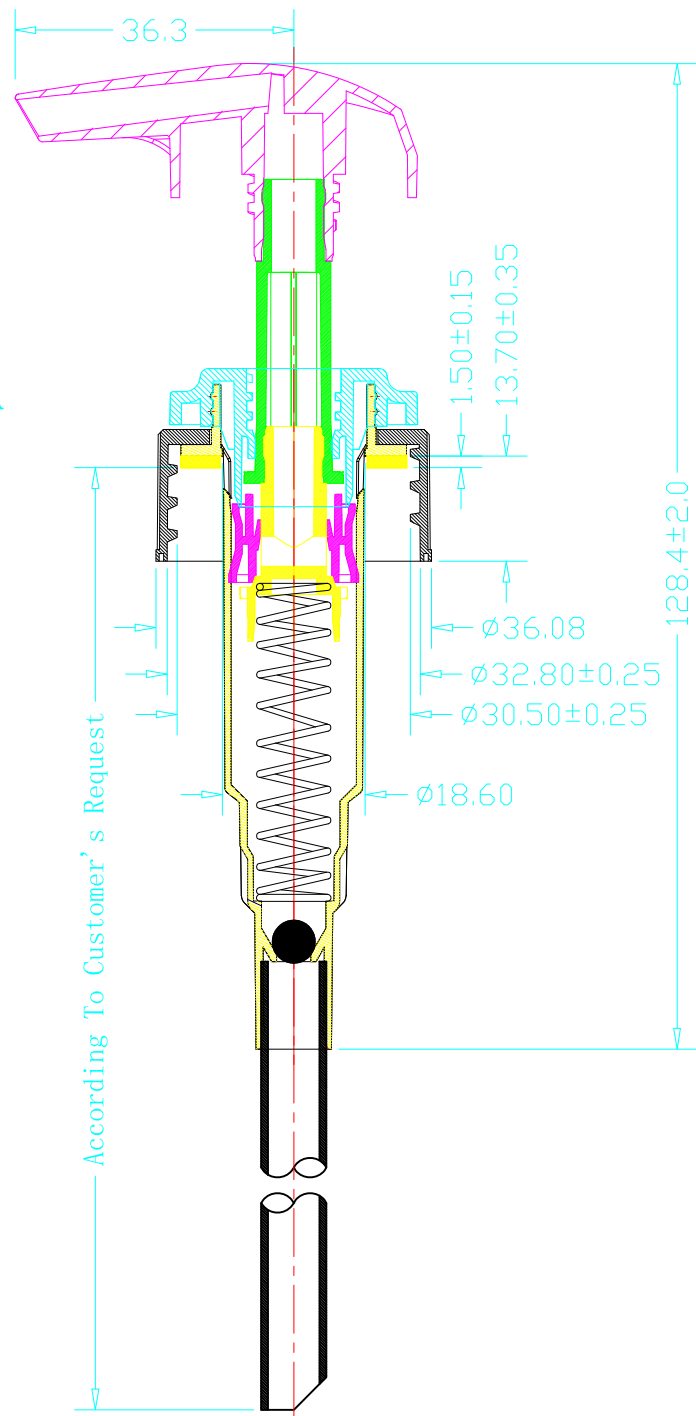
SUB-STEM (PP)

SPRING (STN STL)

BALL (GLASS)

HOUSING (PP)

DIP TUBE (PE)



Unmarked Tolerance ±0.5mm

All Rights Reserved

Item	L509SDM-33/410A	Material	
Dwg No.	L509SDM-33/410A-A01	Version	A0
Mould No.		Quantity	
Drawing	E:\L509	Plastic	
Design	ZENGQIKUN20191122	Cav	
Adult		Unit	mm
Approval		Rate	1:1
Marker	Before modification	After modification	Date

Assembly Drawing

CLC 联昌